

Instruction manual – Mirage 2000B



1. Technical specifications:

Length	1400mm, 55.1in
Span	908mm, 35.7in
Weight (empty)	c. 900g
Flying weight	c. 2,6kg
Drive	Ducted fan unit 90mm
Servo	3pcs
RC	Ailerons/Elevator (Delta) ESC Landing gear Front leg control

2. Content of the kit:

GRP fuselage	1pcs
Tail fin	1pcs
Canopy (clear)	1pcs
Cockpit (ABS)	1pcs
Rib set	1set
Thrust tube	1pair
Decals	1sheet
Outlet hose	1pcs
Instruction manual	1pcs

3. Recommended accessories

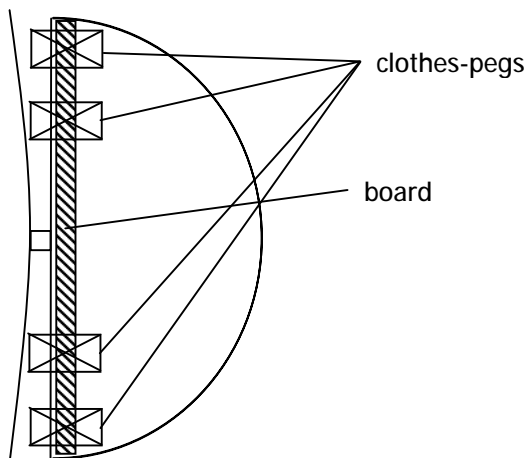
Function	Accessories
Ailerons/Elevator (Delta)	2x Futaba S3150
Servo for front leg control	1x Futaba S3150
Ducted fan unit	Mega Moki 90
Battery	6x Li-Po 3200mAh
Landing gear	HT-Modellbau JET-1A

4. Fuselage

All GRP parts have a small rest of mold release wax and must be washed with warm water or alcohol.

Thrust tubes

Grind away the shoulders at inlets. Rough the thrust tubes from the front about 2cm. Both thrust tubes insert to fuselage and put together with ducted fan unit. Fix both thrust tubes with rubber or Tesa tape together. Centre all the inside parts – thrust tubes, ducted fan unit. Glue the thrust tubes with epoxy together. Then glue the thrust tubes in front with the fuselage. Use a little board and some clothes-pegs.



To the setting glue stand model on spoke.

Streamliner

Rough the streamliner with sandpaper and glue it to fuselage with epoxy.



Landing gear installation

Front leg

Make a hole so, how is intimated on the fuselage.



Rough with a sandpaper surface whereon you glue rib for landing gear and servo holder.

Assembly, centre and glue the ribs into the fuselage.



Glue the front leg control servo holder.

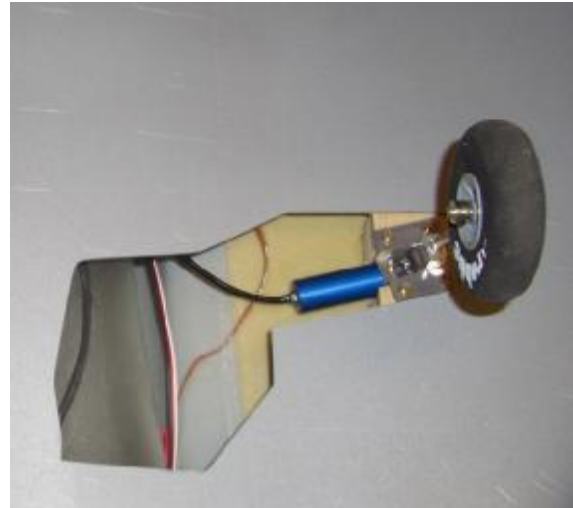
Install servo to the servo holder. Make the front leg control lines from stainless steel string and small brass tubes.



Main legs

Make a hole so, how is intimated on the fuselage.

Install the legs to from manufacturing prepared holders.



5. Aileron/Elevator servos

Clean hinges with a view to went rudders freely.



Make holes for rudder levers. Glue the levers with epoxy.

Put the servo (with rubber rings) into the servo holder. Install the rod with metal clevises.



After the installation put over servo the servo covers and glues them with Tesa tape.



6. Vertical tail fin

The clamp pins in vertical tail fin are already glued. Glue into fuselage leading for the tail fin pins.



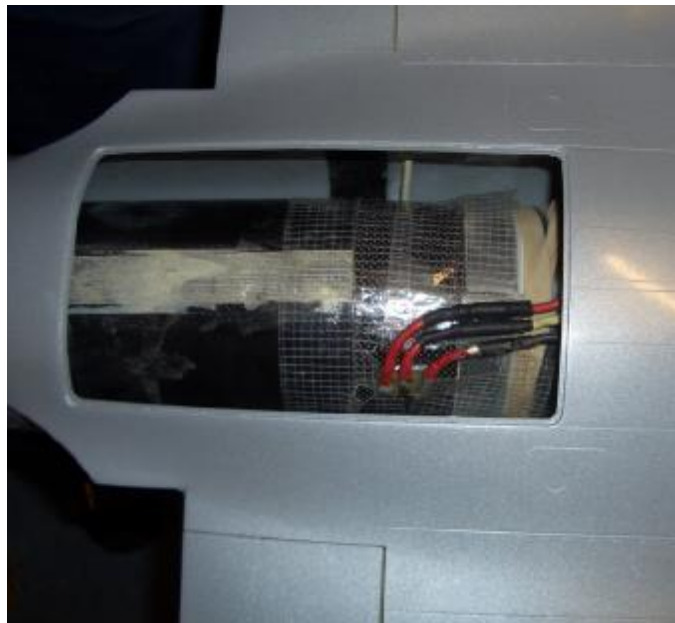
7. Cockpit

The cockpit is already assembled and painted. Cut out the canopy and glue it together with cockpit.



8. Ducted fan unit and outlet hose

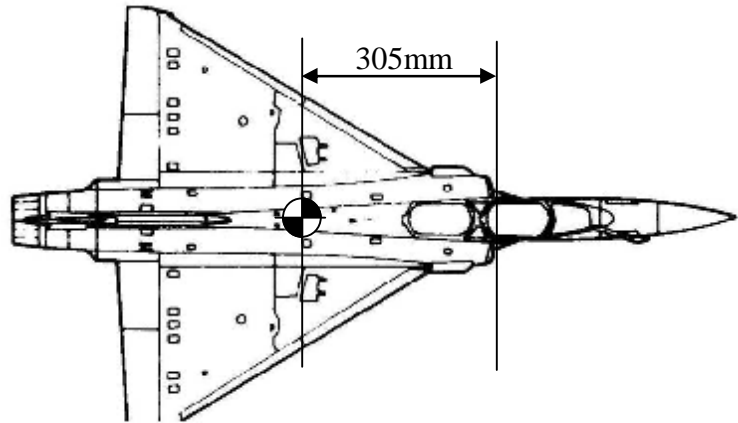
Assembly outlet hose from the plastic sheet and glue it with Tesa tape. We recommend spray the outlet hose with a black Tamiya spray (outside). Put the ducted fan unit into prepared rib in fuselage. Put trough rear hole the outlet hose and fix it to ducted fan unit with Tesa tape (all over girth). Short the outlet hose in line with fuselage. Fix with Tesa tape ducted fan unit and thrust tubes together.



9. Basic setting

Ailerons	$\pm 5\text{mm}$ (30-40% Expo)
Elevator	$\pm 16\text{mm}$ (30-40% Expo)

The battery must be placed preferably mostly in front. The CG is 305mm from top of the inlets. Be sure that the servo cables and receiver are far way of ECS and drive wires.



We wish you many beautiful experiences with our Mirage 2000B.

